

KAA-4 Interface A

Smart adapter for voltage measurement on transformers

up to 24 kV
250 A

Application

The KAA-4 is an intelligent connector, equipped with voltage sensor for voltage measurement on transformers at transformer stations. It provides a unique solution for measuring voltage at distribution substations,

regardless of type of switchgear (GIS, AIS), connector or switch position.

Technical characteristics

The KAA-4 comprises the following components:

- KAA4 connector housing with thick conductive EPDM jacket, inner and outer cone interface A acc. to CENELEC EN 50180 and 50181
- optionally voltage sensor

Description

The KAA-4 is designed for easy installation on MV/LV transformers at transformer stations, to be used with 250 A separable connectors and equipment bushings with interface A acc. to CENELEC EN 50180 and 50181. It is suitable for use in new installations as well as retrofitting and requires no cable preparation.

- Quick & easy installation by using the existing bail restraint
- Complete tested unit including voltage sensor
- Compact and stable design

On customer request, this accessory could be delivered with a metallic cap. The KAA-4 is part of Nexans Smart Accessories offer.

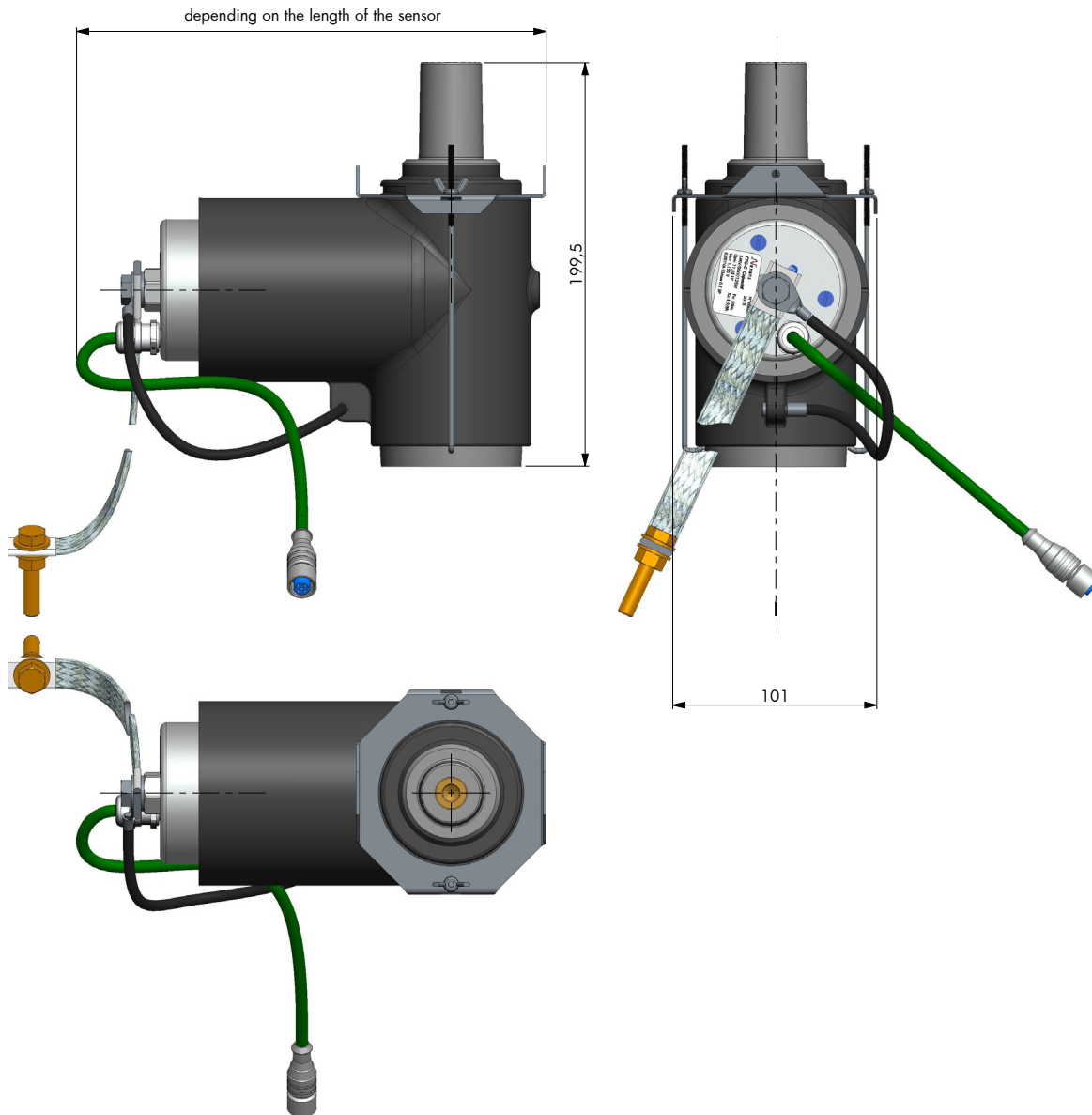


Specifications and standards

The KAA-4 meets the requirements of CENELEC HD 629.1, for installation on bushings with interface A acc. to CENELEC EN 50180 and 50181.

KAA-4	
Rated Voltage U_0/U (U_m)	12/20 (24) kV
Dielectric withstand voltage, 50 Hz 5 min	54 kV
Maximal partial discharge at $2U_0$	10 pC
Rated lightning impulse withstand voltage	125 kV
Interface	A (250 A)

Dimensions



Note

More detailed information on request.